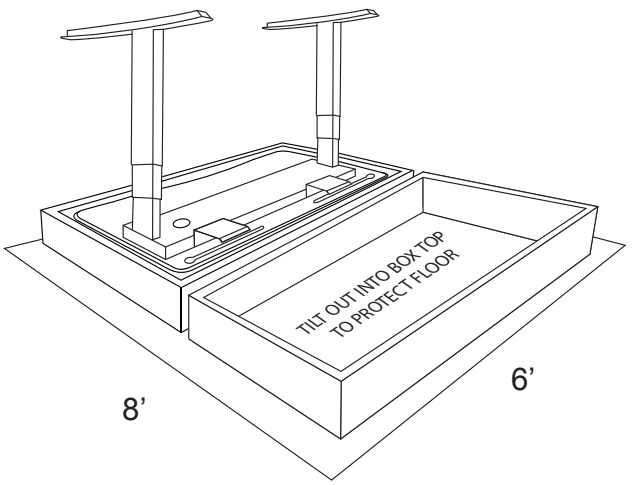


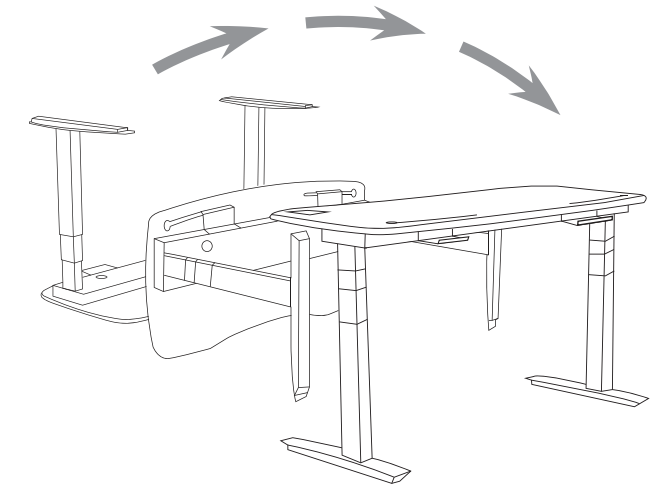
**6** When the legs are both firmly attached, protect your floors and the desk's finish with some of the desk packaging material as you prepare to tilt the desk out of the box and upright.



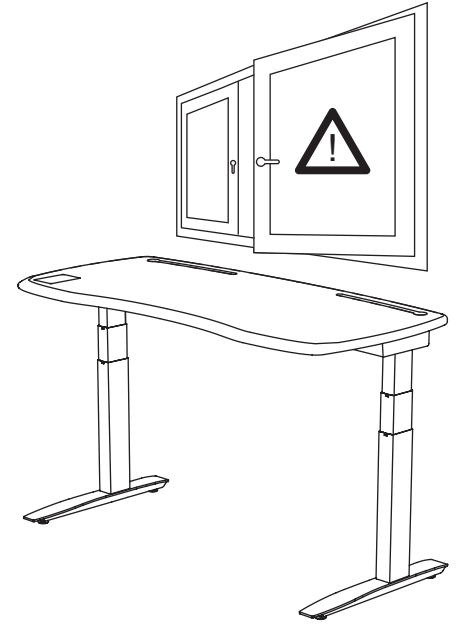
**7** With one person on each side, carefully tilt the desk out of box in a three step process.

**WARNING**

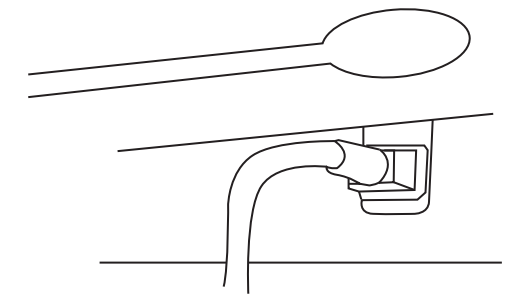
Attempting to tilt the desk out of the box on your own could result in injury to yourself or damage to your desk. Please get at least one person to help you remove the desk from its box when the time comes.



**8** Always have a partner help you to move the desk into its final position. Carefully consider the full height range of your Stir Kinetic Desk when deciding where it will be placed in the room. Be sure that the desk is not underneath artwork, framed pictures, or windowsills that might collide with the desk during regular use.



**9** When the desk is in its final position, plug the included power cable into the desk first, and then into a standard wall outlet.



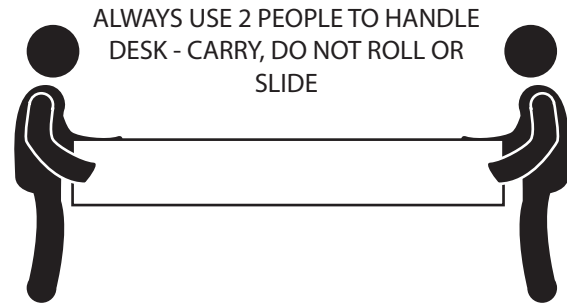
**10** Now follow the on-screen setup wizard and enjoy your new Stir Kinetic Desk M1!



**Stir Kinetic Desk M1**  
DESK ASSEMBLY INSTRUCTIONS

# Stir Kinetic Desk M1 Assembly Instructions

USE ONLY INCLUDED TOOLS -  
NO POWER TOOLS PLEASE



ALWAYS USE 2 PEOPLE TO HANDLE  
DESK - CARRY, DO NOT ROLL OR  
SLIDE

HANDLE WITH CARE

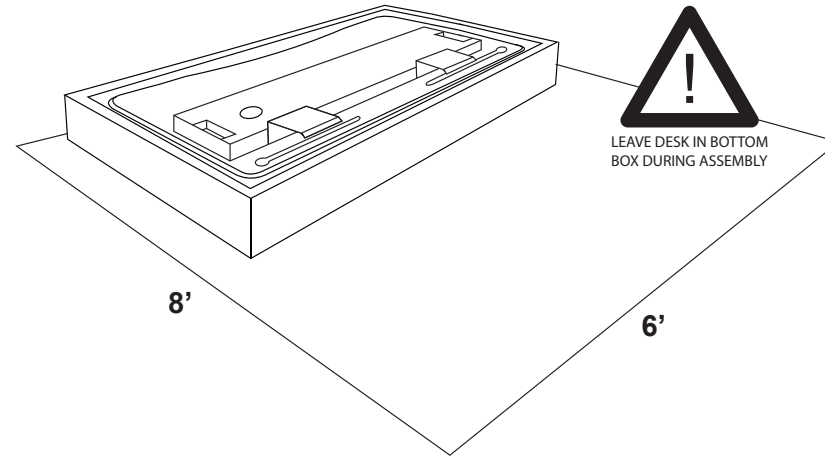


Questions with assembly? Call Stir at 626-657-0918

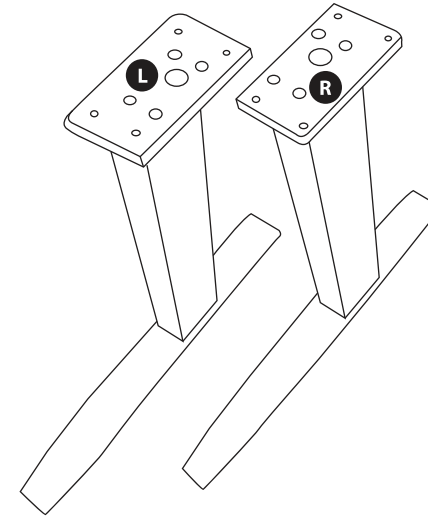
[www.stirworks.com](http://www.stirworks.com) | [help@stirworks.com](mailto:help@stirworks.com)

© 2014 Stirworks Inc. All Rights Reserved. Part #VA112114

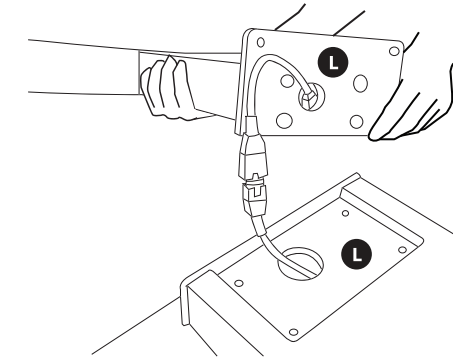
- 1** When deciding where to build your M1, please be sure to pick an area around two times the size of the desktop box (roughly 8'x6'). This will assure that you have a clear area to work in when your desk is fully assembled and ready to tilt upright. To protect surfaces, please leave the desktop inside of its box until the legs are both firmly attached.



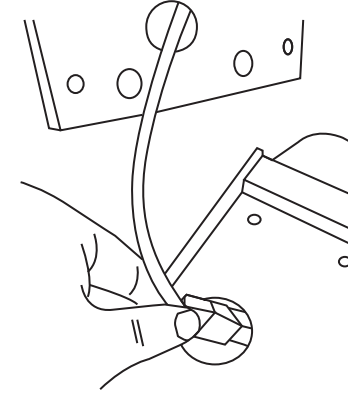
- 2** The two legs of your desk are marked "L" and "R". Your desk has corresponding leg attachment points marked "L" and "R".



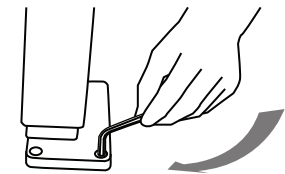
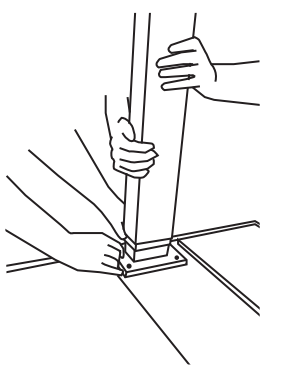
- 3** Attach leg cable "L" to desk cable "L" while a friend holds the leg securely. Repeat on the right side.



- 4** After connecting the cables, push excess into hole as a friend continues to hold the leg securely.



- 5** Use the included bolts to attach legs to desktop. Place into plate and use fingers to begin tightening, finish with included desk tool.



NEVER LET EITHER DESK LEG STAND ON ITS OWN WEIGHT UNTIL FULLY SECURED WITH ALL 4 BOLTS.